



### Features

- 15.6" all-in-one panel PC style with bezel-free touch display
- Power efficient Intel Whiskey lake® Core™ processor
- Easy access M.2 SSD for installation and maintenance
- Optional VFD & 9.7"/ attached customer display
- Optional MSR & iButton integrated at the side of the touchscreen

### Specification

Model		PT2700	
Display	Display Size	15.6" TFT LCD	
	Resolution	1920 X 1080	
	Brightness / Color	300 cd/m <sup>2</sup> , 16.2M colors	
	Backlight	LED	
Touch Panel	Type	Projected Capacitive touch	
Processor	CPU/ Chipset	Intel Whiskey lake® Core™ i5-8365UE	
		Intel Whiskey lake® Core™ i5-8265U	
		Intel Whiskey lake® Core™ i3-8145UE	
		Intel® Celeron® Processor 4305UE	
Memory	X 2 SO-DIMM socket supports up to 64GB		
Storage	X 1 (M.2 SSD M-Key Supports 2242 & 2280) NVMe PCI-e Gen3 x 4		
	X 1 (M.2 SSD M-Key Supports 2242 & 2280) Only SATA		
I/O Connectors	USB 2.0	X 5 (Rear X 4, Side X 1)	
	USB 3.2 Gen1	X 2 (Rear)	
	USB Type-C 3.2 Gen1	X1	
	USB Type-C DP	X1	
	WIFI	X1 E-Key (Supports WIFI & Bluetooth)	
	Powered COM (RS232)	X3 (RJ45 Powered COM 5V/ 12V selected by BIOS)	
	Cash Drawer Port	X 1 (24V RJ11 cash drawer port)	
	Audio Port	Speaker	X1 (2W)
		Line Out	X1
	LAN	x 1 (RJ45 10/100/1000 Base-T)	
DC In	Lockable 3-pin DC input		
Optional Peripherals	VFD / 9.7" 2 <sup>nd</sup> display / MSR / iButton		
Power Supply	90W 19V lockable 3-pin power adapter		
OS Support	Win 10 IoT Enterprise		
Environment	Temperature	Operation	32° to 95° F (0° to 35° C)
		Storage	-4° to 140° F (-20° to 60° C)
	Relative Humidity	20% to 80% non-condensing	
Dimension (W x H x D) mm	365 x 220 x 310		
Certifications	CE / FCC / LVD		
Protection	IP64 on front bezel		



# PT2700

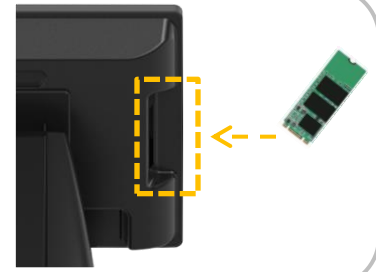
## Small POS Terminal



Intel 8<sup>th</sup> Whiskey lake Core i3/i5  
ULV Processor



15.6" solid aluminum die-casting rear cover  
with fanless design



Easy access M.2 SSD M-Key  
PCI-e Gen 3 x4 NVME



PCI-E Gen3 x4 M.2 SSD with 4  
times faster speed than SATA3



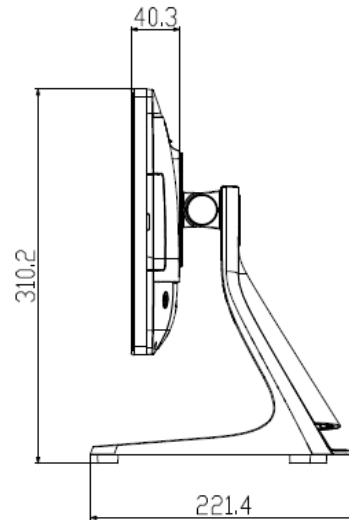
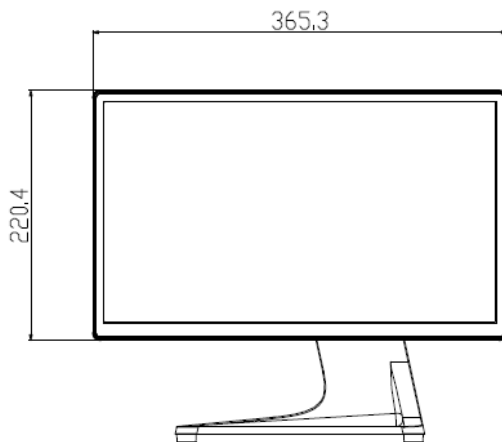
USB type C



Support Type C USB 3.2 Gen1 & DP

## Mechanical Layout / Drawing

Unit: mm



### I/O Interface

